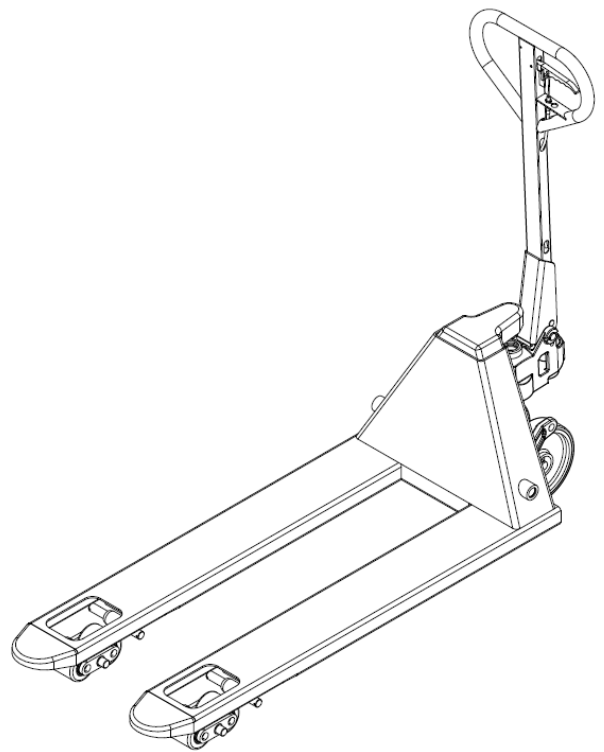


OPERATING INSTRUCTION HANDBOOK

HAND PALLET TRUCK



WARNING

Do not use the truck before reading and understanding these operating instructions.

NOTE:

- **Please check the designation of your present type at the last page of this document as well as on the ID-plate.**
- **Keep for future reference.**

Version 12/2012

AC-SMS-003_EN

FOREWORD

Before operating this hand pallet truck read this ORIGINAL INSTRUCTION HANDBOOK carefully and understand the usage of the hand pallet truck completely. Improper operation could create danger.

This handbook describes the usage of different hand pallet trucks. When operating and servicing the hand pallet truck, make sure, that it applies to your type.

Keep this handbook for future reference. If this or the warning/ caution labels are damaged or got lost, please contact your local dealer for replacement.



Chapter 10 describes specialized stipulations and regulations for the American market. Also follow these instructions and stipulations if you operate the truck within the American market!

Some described functions are optional and therefore not absolutely necessarily equipped with your truck.

ATTENTION:

- Environmentally hazardous waste, such as batteries, oil and electronics, will have a negative effect on the environment, or health, if handled incorrectly.
- The waste packages should be sorted and put into solid dustbins according to the materials and be collected disposal by local special environment protection bureau. To avoid pollution, it's forbidden to throw away the waste randomly.
- To avoid pollution during the use of the products, the user should prepare some absorbable materials (scraps of wooden or dry duster cloth) to absorb leaking oil in time. To avoid second pollution to the environment, the used absorbable materials should be handed in to special departments in terms of local authorities.
- Our products are subject to ongoing developments. Because this handbook is only for the purpose of operating /servicing the hand pallet truck, therefore please have understanding, that there is no guarantee out of particular features out of this handbook.



NOTE: On this manual, the left sign means warning and danger, which can lead to death or serious injury if not followed.

Copyright

The copyright remains with the company, mentioned on the CE- certificate at the end of this document.

TABLE OF CONTENTS


1. CORRECT APPLICATION	5
2. DESCRIPTION OF THE HAND PALLET TRUCK	5
a. Main components	5
b. Main technical data	6
c. Description of the safety devices and warning labels	8
d. Identification plate	8
3. WARNINGS AND SAFETY INSTRUCTIONS	9
4. COMMISSIONING, TRANSPORTING, STORAGE/ REASSEMBLING	9
a. Commissioning – Tiller assembling	9
b. Hydraulic valve adjustment	10
c. Foot brake (Optional for some models)	11
d. Progressive- drive- and parking brake (optional for some models)	11
e. Transporting	11
f. Storage/ Reassembling	11
5. DAILY INSPECTION	12
6. OPERATING INSTRUCTIONS	12
a. Parking	12
b. Lifting	12
c. Lowering	13
d. Moving	13
e. Parking-/ Footbrake (optional for some models)	13
f. Progressive drive- and parking brake (optional for some models)	13
g. Quick Lift (optional for some models)	13
h. Malfunctions	14
7. REGULAR MAINTENANCE	14
a. Maintenance	14
b. Deaeration of the hydraulic system	15
c. Adding hydraulic oil to the pump reservoir	15
8. TROUBLE SHOOTING	15
9. HYDRAULIC CIRCUIT	16
10. SPECIALIZED STIPULATIONS FOR THE US- AMERICAN MARKET	16
11. DECLARATION OF CONFORMITY (valid, if sold within the EU)	18

1. CORRECT APPLICATION

It is only allowed to use this hand pallet truck according to this instruction handbook.

This truck is a manually operated hand pallet truck designed to lift and transport the rated load on industrial pallets. Do not lift or carry person and don't use this truck for other purpose than its intended use. A wrong usage can cause human injuries or can damage equipment.

The operator/ the operating company has to ensure the correct usage and has to ensure, that this truck is used only by staff, which is trained and authorized to use this truck.

 The truck has to be used on substantially firm, smooth, level and prepared surfaces. Driving with the load on slopes is not allowed. The load must be placed approximately on the longitudinal centre plane of the table and must be in satisfactory condition.

The capacity is marked on the identification plate and depending on the version eventually additionally on the capacity sticker. The operator has to consider the warnings and safety instructions.

The hand pallet truck is intended to be used for indoor applications with ambient temperatures between +5°C and + 40°C. Operating lighting must be minimum 50 Lux.

Modification

No modifications or alterations to this hand pallet truck which may affect, for example, capacity, stability or safety requirements of the truck, shall be made without the prior written approval of the original truck manufacturer, its authorized representative, or a successor thereof. This includes changes affecting, for example braking, steering, visibility and the addition of removable attachments. When the manufacturer or its successor approve a modification or alteration, they shall also make and approve appropriate changes to capacity plate, decals, tags and operation and maintenance handbooks. By not observing these instructions, the warranty becomes void.

2. DESCRIPTION OF THE HAND PALLET TRUCK

a. Main components

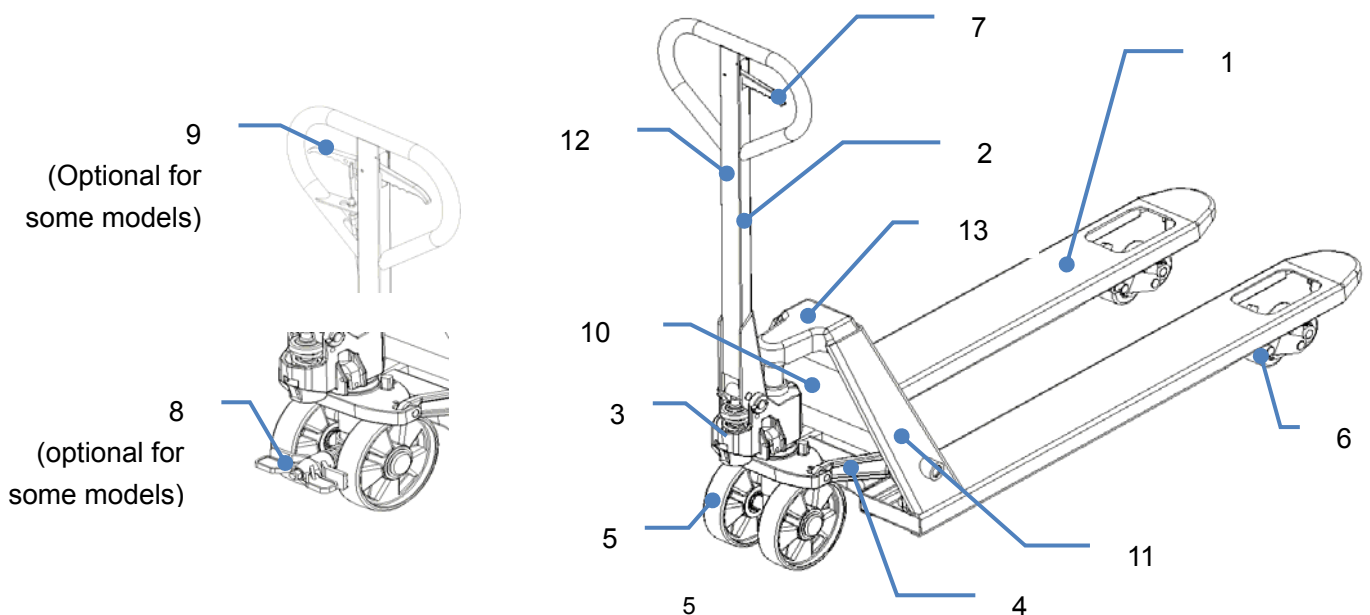


Fig.1: Overview

- 1 Chassis
- 2 Tiller arm
- 3 Hydraulic pump
- 4 Lifting mechanism
- 5 Steering(Front-) wheels
- 6 Load wheels (single/ tandem)
- 7 Lever (for MEGA on both sides)
- 8 Parking-/ Footbrake (Option)
- 9 Progressive parking and drive brake, lever with drum brake(Optional)
- 10 Identification plate (ID-plate)
- 11 Company logo and/or capacity sticker
- 12 Lifting function instruction sticker
- 13 Eventually capacity sticker

b. Main technical data

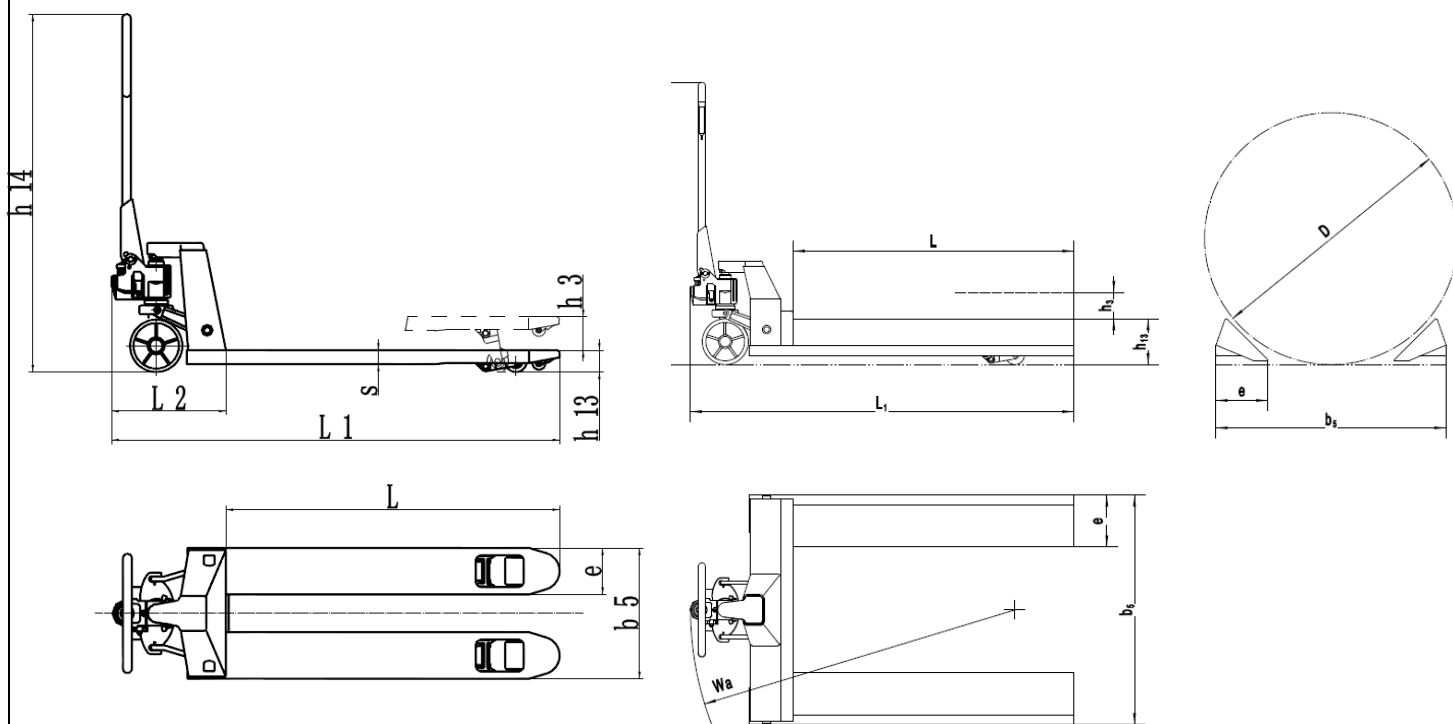


Fig. 2: Technical data

Table 1: Main Technical data for standard version/ other version on request

TYPE		AC 20/ AC 25/ AC 30	MEGA 26	GIGA 26	DELTA 20 / 26 / 30
Load capacity	Q(t)	2.0 / 2.5 / 3.0	2.6	2.6	2.0 / 2.6 / 3.0
Service weight	kg	68 / 80 / 90	76 76 78	76 (PU) / 80 (N)	77 / 78 / 80
Tyre size, front	mm	Ø200x50	Ø180x50	Ø200x50	Ø200x50
Tyre size, rear (single / tandem)	mm	Ø80x93 / Ø80x70	Ø74x93 / Ø74x70	Ø82x93 / Ø82x70	- / Ø80x70
Wheels nr. front, rear		2/2, 2/4	2/2, 2/4	2/4	2/2, 2/4
Lift	h3(mm)	115	115	115	115
Height of tiller (max.)	h14(mm)	1230	1228	1240	1230
Height, lowered	h13(mm)	85	75	85	85
Overall length	L1(mm)	1540	1562	1540	1540
Fork dimensions	s/e/L(mm)	50/160/1150 ¹⁾	53/160/1150 ²⁾	50/160/1150	50/160/1150 ³⁾
Distance betw. forks	b5(mm)	450, 520, 540, 685	520 540 685	540, 685	450, 520, 540, 685

TYPE		ACF 20H	ACF 20L	ACE 20	ACL 20	ACL 35	AC-LOW	
Load capacity	Q(t)	2.0		2.0		3.5	1.5	1.0
Service weight	kg	63	70	99	122	235	84	87
Tire size, front	mm	Ø200x50	Ø180x50	Ø200x50	Ø180x50	Ø200x50	Ø180x50	Ø160x50
Tire size, rear (single / tandem)	mm	Ø80x93 / Ø80x70	Ø74x93 / Ø74x70	Ø82x93 / Ø82x70	Ø74x93 / Ø74x70	Ø80x93 / Ø80x70	Ø50x93 / Ø50x70	- / Ø34x58
Wheels nr. front, rear		2/2, 2/4		2/2, 2/4		2/2, 2/4	2/2, 2/4	2/4
Lift	h3(mm)	115		115		115	114	55
Height of tiller (max.)	h14(mm)	1230		1260		1260	1230	
Height, lowered	h13(mm)	85	75	85	75	85	51	35
Overall length	L1(mm)	1540		1540	2190	2190	1540	1510
Fork dimensions	s/e/L(mm)	50/160/1150 ⁴⁾		50/160/1150 ⁵⁾	60/160/1800 ⁶⁾	60/160/1800 ⁷⁾	37/160/1150	30/160/1120
Distance betw. forks	b5(mm)	450,520,540,685		838,850,1000	540/685	540, 685	540,685,838	630, 685

TYPE		ACR				AC-TWO	ACZ		ACS	
		AC20 R500	AC20 R700	AC20 R1000	AC20 R1500		ACZ20H	ACZ20L	ACS20H	ACS20L
Load capacity	Q(t)	2.0				1.5	2.0		2.0	
Reel Diameter	mm	400-600	600-800	800-1200	1200-1600	-	-		-	
Service weight	kg	144	149	168	190	76	75		83	
Tire size, front	mm	Ø200x50				Ø200x50	Ø200x50	Ø180x50	Ø200x50	Ø180x50
Tire size, rear (single / tandem)	mm	Ø80x93 / Ø80x70				Ø78x70 / Ø65x60	Ø80x93 / Ø80x70	Ø74x93 / Ø74x70	Ø80x93 / Ø80x70	Ø74x93 / Ø74x70
Wheels nr. front, rear		2/2, 2/4				2/2, 2/4	2/2, 2/4		2/2, 2/4	
Lift	h3(mm)	115				85, 125 ⁸⁾	115		115	
Height of tiller (max.)	h14(mm)	1233				1233	1230		1230	
Height, lowered	h13(mm)	175	175	200	187	85	85	75	85	75
Overall length	L1(mm)	1250,1350,1450,1550,1600,1670				1540	1540		1540	
Fork dimensions	s/e/L(mm)	- / - / 800,900,1000,1100,1150,1220				50/160/1150 ⁹⁾	60/160/1150 ⁹⁾		60/160/1150 ¹⁰⁾	
Distance betw. forks	b5(mm)	760	850	1000	1150	540, 685	520, 540, 685		520, 540, 685	

The noise level is less than 70dB.

- 1) L= 800/ 900/ 1000/1100/ 1220 mm optional
- 2) L= 800/ 1000/ 1220 mm optional
- 3) L= 800/ 900/ 1000/ 1100/1220 optional ; DELTA 30: s= 60 mm
- 4) L= 800/ 900/ 1000/ 1100/ 1220 mm optional
- 5) L= 800/ 900/ 1000/ 1100/ 1220/ 1500/ 1800/ 2000/ 2500/ 3000 mm optional
- 6) L= 800/ 900/ 1000/ 1150/ 1220/ 1500/ 2000/ 2500/ 3000 mm optional
- 7) L= 1500/ 2000 mm optional
- 8) Lift for normal transportation: 85mm, for traverse transportation 85 – 125mm
- 9) L= 1100/ 1220 mm optional
- 10) L= 1000/ 1100/ 1220 mm optional

C. Description of the safety devices and warning labels

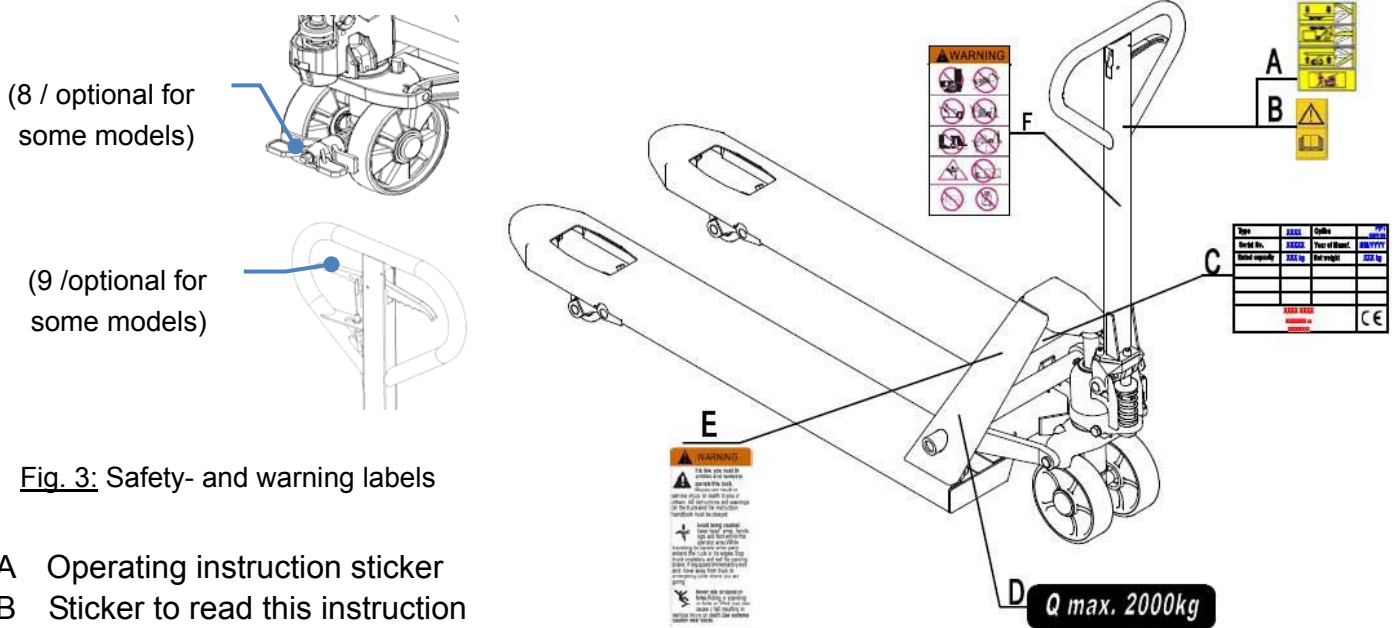


Fig. 3: Safety- and warning labels

- A Operating instruction sticker
- B Sticker to read this instruction
- C Identification plate (ID- plate)
- D Capacity sticker (both sides/ sample, for illustration only, capacity might be different for your type)
- E Sign warning stay clear stop truck (only US- market, chapter 10 describes further information)
- F Sign prohibited use (only US- market, chapter 10 describes further information)
- (8) Parking-/ Footbrake (Option)
- (9) Progressive parking and drive brake, lever with drum brake (Optional)

The safety and warning labels should be placed according to figure 3. The advices on the truck are additional to this handbook. Please follow the operating instructions. If the decals are damaged or missing, please replace them. Your truck might be optional equipped with a parking brake or with a progressive parking and drive brake. How to use this kind of brakes is described in chapter 6.

d. Identification plate

- 1 Designation, type
- 2 Serial number
- 3 Rated capacity
- 4 Eventually company logo
- 5 Name and address of the manufacturer
- 6 Net weight
- 7 Manufacturing date
- 8 Option, Wheel combination, fork length, width over the forks

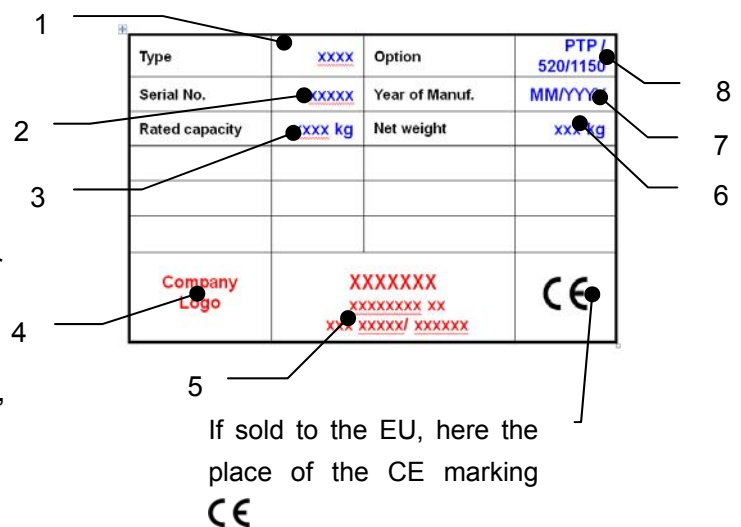


Fig. 4: ID-Plate

3. WARNINGS AND SAFETY INSTRUCTIONS



DO NOT

- Allow other person then the operator to stand in front of or behind the truck when it is moving or lifting/lowering.
- Overload the truck.
- Put foot in front of rolling wheel, Injury could result.
- Use the truck on a slope or inclined surface, the truck may become uncontrollable and create danger.
- Lift or carry people. People could fall down and suffer severe injury.
- Use truck with unstable, unbalanced loosely stacked load.
- Use the truck in explosive atmospheres.

Watch difference in floor levels when moving the truck. Load could fall down or the truck could get uncontrollable. Keep watching the condition of load. Stop operating table if load becomes unstable.

Practice maintenance work according to regular Inspection. This truck is not designed to be water resistant, therefore use it in dry atmospheres.

4. COMMISSIONING, TRANSPORTING, STORAGE/ REASSEMBLING

a. Commissioning – Tiller assembling

After receiving our new hand pallet truck you may have to do following before firstly operating the truck:

- Check if are all parts included and not damaged
- Do the work according to the daily inspections as well as functional checks.
- Eventually assemble the truck according to following instructions.

The commissioning weight is approximately 10kg / six- pack higher than the product weight.

Before assembling, please make sure, that the following supplied parts are included and not damaged:

- 1 pc axle with hole (4)
- 2 pc dowel pin (5) [one is already assembled with the axle]
- 1 pc pre- assembled tiller arm (1)
- 1 pc pre- assembled chassis with pump unit (6)

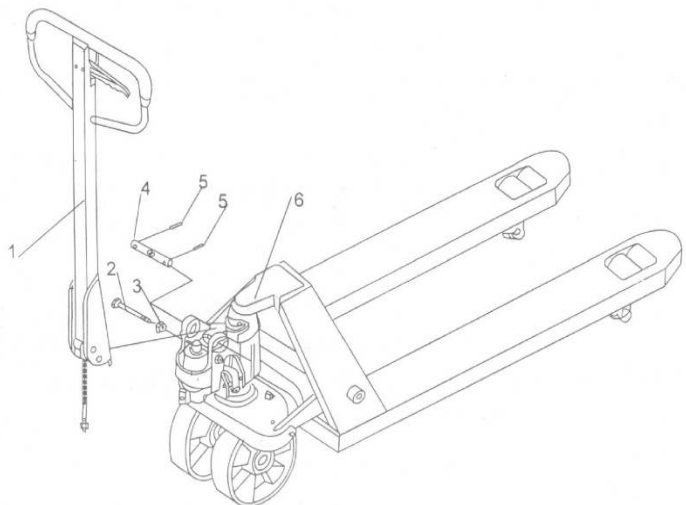


Fig.5 Tiller assembling

(1.Tillerarm / 2.Pin / 3.Nut / 4.Axle with hole / 5.Dowel pin / 6.Chassis with pump unit)

Note: The marked number on the tiller arm package and the chassis should be the same.

When attaching the handle, you had better squat just in front of the pallet truck.

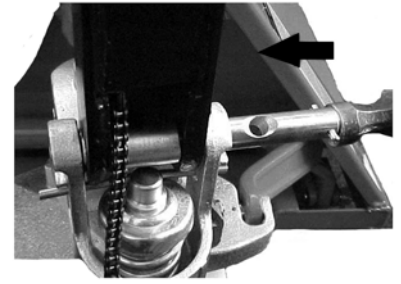


Fig. 6: Axle assembling

a) Insert the tiller arm(1) into the pump piston, then use a hammer to insert the axle with hole into the hydraulic pump and tiller arm from the right to the left (Fig. 6).

b) Set the control lever of the handle to the 'LOWER' position, then pass the adjusting nut, adjusting bolt through the hole of the axle with your hand (Fig. 7).

c) Press the tiller arm down; take away the pin (2, Fig. 5).

d) Set the control lever of the handle to 'RAISE' position, then raise the lever plate with the pin (2, Fig. 5) and insert the adjusting bolt into the front slot of lever plate. Note: Keep the adjusting nut under the lever plate.

e) Use a hammer to insert the 2nd dowel pin (5, Fig. 5) into the 2nd hole of the axle. The draw-bar is now assembled to the pump.

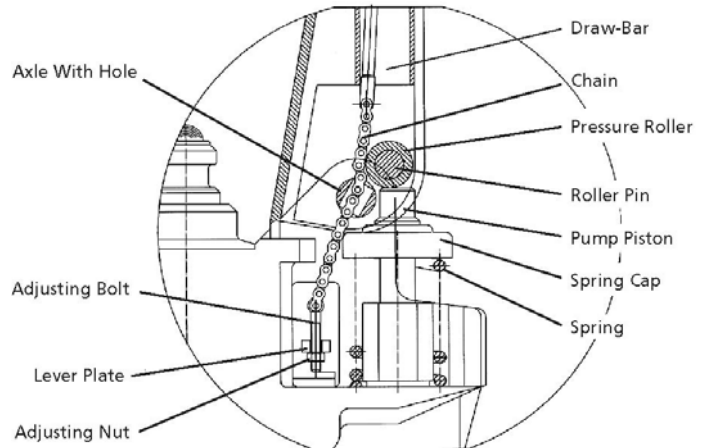


Fig. 7: Side view

b. Hydraulic valve adjustment

On the tiller of your pallet truck, you will find the control lever, which can be regulated in three positions:

Lower: handle up, the lever moves back to the neutral, when released

Neutral: handle in center position

Raise: handle down

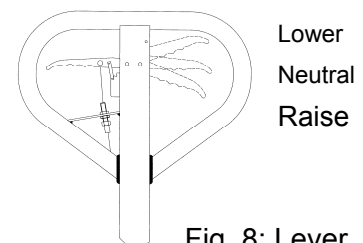


Fig. 8: Lever

If necessary, you can adjust the lever according to following steps (Fig. 8):

a) If the forks elevate while pumping in the **Neutral** position, turn the adjusting nut on the adjusting bolt clockwise until pumping action does not raise the forks and the **Neutral** position works properly.

b) If the forks descend while pumping in the **Neutral** position, turn the adjusting nut counter-clockwise until the forks do not lower.

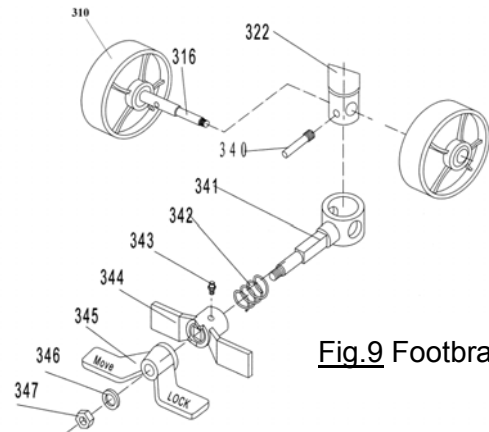
c) If the forks do not descent when the control handle is in the **Lower** position, turn the adjusting nut clockwise until raising the control handle lowers the forks. Then check the **Neutral** position according to fig. 8 and be sure that the adjusting nut is in the proper position.

d) If the forks do not elevate while pumping in the **Raise** position, turn the adjusting nut counter-clockwise until the forks elevate while pumping in the **Raise** position. Then check the **Lower** and **Raise** position.

C. Foot brake (Optional for some models)

If the truck is ordered with a foot brake, please follow the next instructions. The foot brake might be already assembled with the truck.

- a) Remove the steering wheel (310).
- b) Put the Holding sleeve (341) in the under parts of pump body (322), and take off the parts from (310) one by one. Fasten the bolt (340) in the fixed hole.
- c) Install spring (342), brake plate (344), foot pedal (345) and (spring) washer (346) on the fixed seat (341) one by one. Then screw the locknut (347) on the fixed seat (341).
- d) Install the grease nipple (343).



d. Progressive- drive- and parking brake (optional for some models)

If the truck is equipped with the progressive drive and parking brake, the braking lever as well as the bowden cable already assembled to the tiller arm.

- a) Turn the pump 90 degree to right side, then pass through the brake cable behind the thrust plate.(Fig.10)
- b) Put the head of the brake cable into the groove of the hinge pin.
- c) Then tug the brake cable, let the head of the outer sleeve of the cable into the hole of the holding pin.



Fig.10: Progressive drive and parking brake

e. Transporting

For transporting, remove the load, lower the truck to the lowest position and lash it safe with dedicated lashing straps.

f. Storage/ Reassembling

For storage, remove the load, lower the truck to the lowest position, grease all in this handbook mentioned greasing points (regularly inspection) and eventually protect the truck against corrosion and dust. Jack the truck safety, so that there will be no flattening after storage. Reassemble the tiller in the opposite direction of the assembling.

5. DAILY INSPECTION

This chapter describes pre-shift checks before putting the truck into operation.

Daily inspection is effective to find the malfunction or fault on the truck and can maximize the lifetime. Check the truck on the following points before operation.

Remove load from truck and lower the forks to the lowest position.

 DO NOT USE THE TRUCK IF ANY MALFUNCTION OR FAULT IS FOUND.

- Visually check for structural deformation or cracks of arms, forks, or any other component; and unusual noise or binding of the lifting mechanism.
- Check if there is any oil leakage.
- Check the vertical creep of the lifting mechanism.
- Check the smooth movement of the wheels.
- Check if there are any particles or damages on the wheels.
- Check if all the bolts and nuts are tightened firmly.
- If equipped, check the brake.
- Verify that all labels are in place.

6. OPERATING INSTRUCTIONS

- When operating the truck, the operator has to wear safety shoes.
- The truck is intended to be used for indoor applications with ambient temperatures between +5°C and + 40°C.
- The operating lighting must be minimum 50 Lux.
- It is not allowed to use the truck on angled surfaces.
- Never leave a loaded pallet truck unattended.



a. Parking

Lower the forks to the lowest position and park the Hand pallet truck on a smooth and even level ground where the truck not disturbs any other operations. If equipped with a brake use the brake for parking the truck acc. to the description further below.

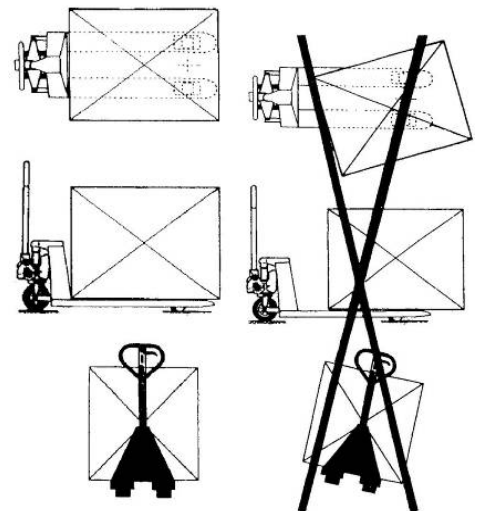
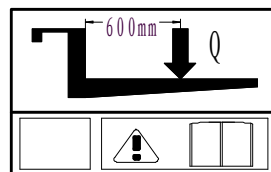


Fig.11: Load conditions

b. Lifting

Check that the load does not exceed the loading capacity of the pallet truck. Roll the pallet truck with its forks slowly under the pallet/load until the back end of the fork rests against the load (Fig.11). Shift the operating lever down to the Lifting position. Lift the load by up- and down movements of the tiller arm. The load must be evenly distributed across both forks.

 DO NOT OVERLOAD THE TRUCK!

C. Lowering



DO NOT PUT FOOT OR HAND UNDER THE LIFTING MECHANISM.

Lower the load by shift the operating lever up to the lowering position carefully. By releasing the lever, the lowering movement will stop. Ensure there is adequate clearance behind, then move the pallet truck away.

d. Moving



- Do not operate the truck on a slope or inclined surface.
- Watch difference of floor level when moving lifter. Load could fall down
- Make the load stable to prevent it from falling down.
- The truck might be not equipped with a brake. In this case the braking distance is longer and depends on the operator.

If equipped, release the brake.

Move the truck by pushing or pulling the tiller arm. The tiller arm is connected to the steering rollers. The wheels are steered automatically by moving or steering the tiller arm.

e. Parking-/ Footbrake (optional for some models)

Follow these instructions, if a parking-/footbrake is equipped with the truck (Fig. 1, pos. 8).

To apply the brake step on the “LOCK” side of the pedal (Fig. 9, pos.345) until its angle is 45°.

To release the brake step on the “MOVE” side of the pedal (Fig. 9, pos.345) until it is in horizontal position.

f. Progressive drive- and parking brake (optional for some models)

Follow these instructions, if a progressive drive- and parking brake is equipped with the truck (Fig. 1, pos. 9). By pulling the lever of the progressive parking and foot brake, the truck will brake smoothly to the desired adjustment. To park the truck, after fully pulling the lever, the small latch on the braking lever must be moved to the right, then the operator can release the lever. By start operating, the truck, pull the lever and then swing the latch to the left side, then release the lever.

Depending on the load conditions the braking behavior is changing.

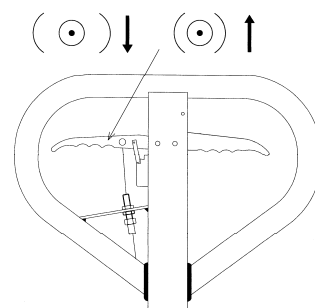


Fig. 12: Lever drive- and parking brake



Please do not overstress the brake, it could generate loss in braking capacity.

g. Quick Lift (optional for some models)

When the load is less than 120kg, the pallet truck has the quick-lifting function. It is about 5 times pumping to lift truck from the min. height to max. height. When the load is more than 120kg, the pumping function will automatically switch to a normal lifting speed.

h. Malfunctions

If there are any malfunctions or the truck is inoperative, please stop using it. Place the truck at a safe place. Avoid further usage.

Inform immediately the manager and, or call your service.

7. REGULAR MAINTENANCE



- Only qualified and trained personnel are allowed to do service on this truck.
- Before servicing the truck, remove the load and lower the forks to the lowest position.
- Completely immobilize pallet truck before working on components that might pinch fingers or hands if movement were allowed.
- Use approved and from your dealer released original spare parts.
- Please consider that oil leakage of hydraulic fluid can cause failures and accidents.
- It is allowed to adjust the pressure valve only from trained service technicians.
- Waste material like oil, used batteries or other must be probably disposed and recycled according to the national regulations and if necessary brought to a recycling company.
- All bushings and bearings have been lubricated at the factory. To increase their life, regular maintenance is recommended. Using the appropriate grease for the application and lubricate each grease fitting every 6 months.
- Harsh environments may require more frequent maintenance.

If you need to change the wheels, please follow the instructions above. The wheels must be round and they should have no abnormal abrasion.

a. Maintenance

DAILY

- Follow chapter 5.

MONTHLY

- Check hydraulic oil level (more frequently for high use applications).
- All bearings and shafts are provided with long-life grease at the factory. Long-life grease should be applied to the lubrication points at monthly intervals or after each time the truck is cleaned. Clean off dirt and debris.

EVERY SIX MONTH

- Change oil (more frequently if color has substantially darkened or feels gritty). The required hydraulic fluid type is ISO VG32, its viscosity should be 30cSt at 40°C, total volume is about 0.3l.

NOTE: If hydraulic oil is milky white in color, water is in the hydraulic system. Change the hydraulic oil immediately.



Before starting operating the truck, ensure that all markings and decals are on the right place and not damaged (acc. to Fig. 3). If necessary replace the decals.

b. Deaeration of the hydraulic system

Air may find its way into the pump during transportation, tilting or usage on uneven ground. It can result in not elevating forks whilst pumping in the **Raise** position. The air can be removed in the following way: Move the control handle to the **Lower** position, move then the tiller down several times. Thereafter normal operation can be resumed.

c. Adding hydraulic oil to the pump reservoir

- Ensure forks are in lowered position.
- Lay pallet truck on either side. Position drain plug of hydraulic cylinder up.
- Remove the screw plug.
- Add hydraulic oil until level of oil is at bottom of hole.
- Replace drain plug, upright the truck

8. TROUBLE SHOOTING


 If the truck has malfunctions follow the instructions, mentioned under chapter 7.

Table 2: Trouble shooting

No.	Symptom	Possible Causes	Corrective action
1	Forks don't raise, don't raise fully, or raise slowly	a) Low hydraulic fluid level or impurities in oil. b) Control lever is out of adjustment. c) Load is too heavy. Overload release valve is being activated. d) Temperature is too low and the hydraulic oil has become too thick. e) Air in the hydraulic oil.	a) Add approved hydraulic fluid or change oil as noted in chapter 7. b) Follow the procedure for adjusting the control lever in chapter 4. c) Reduce load. d) Move truck to a warmer location. e) Deaerate the hydraulic pump. (see chapter 7)
2	Forks don't lower or don't lower fully	a) Obstacle located under truck, in fork mechanism, etc. b) Control lever is out of adjustment. c) Fork was left in a raised position for an extended time causing exposed piston rod to rust. d) The piston rod or pump is deformed due to over-loading or uneven loading.	a) Use caution removing the obstacle. b) Follow the procedure for adjusting the control lever in chapter 4 c) Keep fork in the lowest position when not in use and keep piston rod well lubricated d) Replace the piston rod or pump
3	Forks lower without putting the control lever in the "lower" position	a) Oil impurities are preventing the release valve from fully closing. b) Some hydraulic components or seals are cracked or worn. c) Control lever is out of adjustment.	a) Drain and replace hydraulic fluid with approved fluid as noted in chapter 7. b) Inspect and replace components as needed. c) Follow the procedure for adjusting the control lever in chapter 4
4	Oil leakage	a) Worn or damaged seals b) Other cracked or worn parts	a) Replace seals b) Replace damaged parts

9. HYDRAULIC CIRCUIT

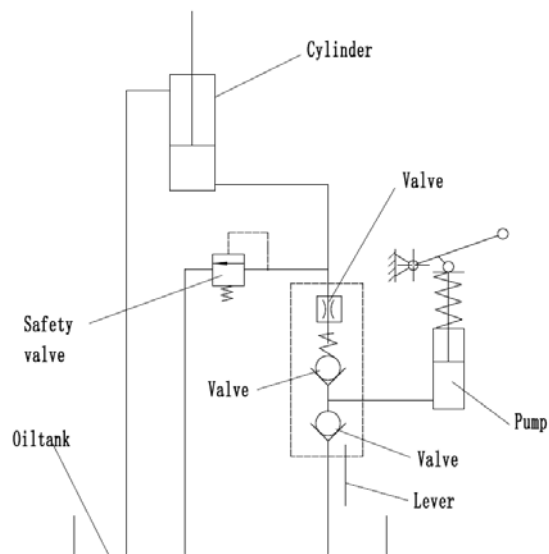


Fig.13: Hydraulic diagram

10. SPECIALIZED STIPULATIONS FOR THE US- AMERICAN MARKET

The content in this chapter is specialized for the US-American market.

Operating this truck requires knowledge which can be acquired from this instruction handbook. This handbook must be kept available throughout the entire period of use of the truck.

YOU MUST BE TRAINED AND CERTIFIED TO OPERATE THIS TRUCK! READ AND OBEY ALL WARNINGS AND INSTRUCTIONS IN THIS MANUAL AND ON THE TRUCK!

Only properly trained operators are allowed to operate a powered industrial truck. Your employer must train you and certify, that you are qualified to operate this truck. Depending on the context in this operating manual, the user can refer to several people, including the owner of the truck, anyone who leases or borrows this truck, and the operator as defined in ASME B56.1. Please pay attention to the section in ASME B56.1 concerning the operator. In this standard, it is defined that the safe operation is the responsibility of the operator (ASME B56.1-2003, Part II, section 5.1.1). You and others can be seriously injured or even killed if you don't use this truck correctly. Before operating your truck, inspect your truck and ensure that it is in correct working order. This truck was designed and built to current industry and government standards. For more information see following:

- ASME B56.1 (American Society of Mechanical Engineers)
- OSHA §1910.178 (Occupational Safety and Health Act)
- ANSI Z535.4 (American National Standards Institute)

⚠ WARNING If not followed, warning indicates hazard situations which may lead to moderate injury. The instructions or precautions to this message must be observed to avoid the potential risk of injury or death.

Decals on your hand pallet truck according to chapter 2c:

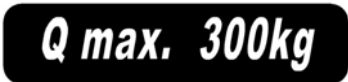
Sign operating instruction (A)



Sign read and follow this instruction (B)



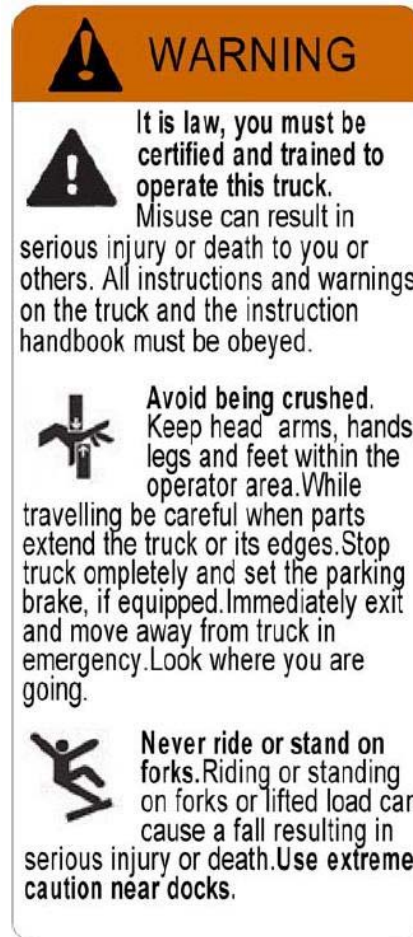
Sign capacity (D)
(sample, your present truck might have a higher capacity!)



Sign prohibited use (F)



Sign warning stay clear stop truck (E)



11. DECLARATION OF CONFORMITY (valid, if sold within the EU)

[GB] CE DECLARATION OF CONFORMITY

The signatory hereby declares that the machine described below in detail complies with the European Directive 2006/42/EC (Machinery Directive) including amendments as well as the legislative decree to incorporate the directives in national law. The signatory is individually authorized to compile the technical documents.

[D] EG-KONFORMITÄTSEKTLÄRUNG

Der Unterzeichner bescheinigt hiermit, dass die im Einzelnen bezeichnete Maschine den Europäischen Richtlinien 2006/42/EG (Maschinenrichtlinie) einschließlich deren Änderungen sowie dem entsprechenden Rechtsersatz zur Umsetzung der Richtlinien in nationales Recht entspricht. Der Unterzeichner ist bevollmächtigt, die technischen Unterlagen zusammenzustellen.

[E] DECLARACIÓN DE CONFORMIDAD CE

El signatario certifica por medio de la presente que la máquina descrita en esta documentación cumple con la Directiva Europea 2006/42/CE (Directiva de máquinas), incluyendo sus respectivas modificaciones, así como con los Reales Decretos de transposición de la directiva al derecho nacional. El signatario dispone de una autorización individual que le permite compilar la documentación técnica.

[F] DECLARATION DE CONFORMITE CE

Les signataires certifient par la présente que les machines désignés individuellement satisfont aux directives européennes 2006/42/CE (directive machine), y compris leurs modifications ainsi que les décrets légaux concernant la mise en oeuvre des directives dans le droit national. Les signataires sont respectivement et individuellement autorisés à regrouper les documents techniques.

[NL] EG-CONFORMITEITSVERKLARING

De ondertekenaars verklaren hiermee, dat de hieronder genoemde machine voldoet aan de Europese richtlijnen 2006/42/EG (Machinerichtlijn), inclusief de wijzigingen en wetgeving voor de omzetting van de richtlijnen in nationaal recht. Ondergetekenden zijn ieder individueel gemachtigd het technisch dossier samen te stellen.

[P] DECLARAÇÃO DE CONFORMIDADE CE

Os signatários vêm por este meio certificar que os a máquina descritos em pormenor cumprem as diretivas europeias 2006/42/CE (directiva relativa a máquinas) incluindo as suas alterações e o respectivo documento legal com vista ao cumprimento das diretivas no enquadramento legal nacional. Os signatários estão individualmente autorizados a compilar os documentos técnicos.

[I] DICHIARAZIONE DI CONFORMITÀ CE

Con la presente i firmatari attestano che la macchina per movimentazione interna è conforme alla direttiva europea 2006/42/CE (Direttiva Macchine), comprese le relative modifiche, nonché al documento legale per la trasposizione di tali direttive nel diritto nazionale. I sottoscritti sono singolarmente autorizzati alla creazione della documentazione tecnica.

[BG] ЕВРОПЕЙСКА ОБЩНОСТ - ДЕКЛАРАЦИЯ ЗА СЪОТВЕТСТВИЕ

С настоящото подписаните удостоверяват, че специфицираното тук машината средство отговаря на Европейските директиви 2006/42/ЕО (Директива за машините), включително на техните изменения, както и на съответното постановление за прилагане на директивите в националното право. Подписаните са съответно упълномощени поотделно да съставят техническата документация.

[CZ] EG - PROHLÁŠENÍ O SHODĚ

Níže podepsaní tímto potvrzují, že podrobný popis stroje odpovídá Evropským směrnici 2006/42/EC (směrnice pro strojní zařízení) včetně jejich pozdějších úprav, jakož i příslušným právním výnosům pro uplatnění příslušné směrnice v rámci národního práva. Každý z podepsaných je jednotlivě zplnomocněn k vytvoření technických podkladů.

[DK] EF-OVERENSSTEMMELSESEKTLÆRING

Undertegnede erklærer hermed, at følgende maskine overholder de væsentligste krav i Rådets direktiv 2006/42/EF (Maskindirektivet) om indbyrdes tilnærmelse af medlemsstaternes lovgivning. Alle undertegnede har fuldmagt til selvstændigt at sammensætte det tekniske materiale.

[EST] EL vastavusavaldus

Настоящим лица, подписавшие документ, удостоверяют, что полное подвременно-транспортное средство с силовым приводом в указанной спецификации соответствует Европейским директивам 2006/42/EG (Директива по машинам), включая изменения в них, а также соответствующему правовому документу по трансформации директив в национальное право. Каждое по отдельности лицо, подписавшее документ, имеет полномочия для составления технической документации.

[FIN] EU-YHDENMUKAISUUSSELÖSTYS

Allekirjoittavat todistavat täten, että yksilöity kone vastaa eurooppalaista direktiiviä 2006/42/EY (konedirektiivi) kaikkine muutoksineen sekä säädöksiä, jolla direktiivi on saatettu osaksi kansallista lainsäädäntöä. Allekirjoittajilla on kullakin erikseen valtuudet laatia teknisiä dokumentteja.

[GR] ΔΗΛΩΣΗ ΣΥΜΜΟΡΦΩΣΗΣ ΕΟΚ

Οι υπογράφοι βεβαιώνουν διά της παρούσης ότι το συγκεκριμένο μηχάνημα συμμορφώνεται προς την Κοινοτική Οδηγία 2006/42/ΕΚ («Μηχανήματα»), συμπεριλαμβανομένων των τροποποιήσεων, καθώς και των νομοθετικών διαταγμάτων για τη μεταφορά Οδηγιών στην εθνική νομοθεσία. Οι υπογράφοι είναι σε κάθε περίπτωση εξουσιοδοτημένοι ατομικά να καταρτίσουν τα τεχνικά έγγραφα.

[H] EU KONFORMITÁSI NYILATKOZAT

Alulírottak ezennel igazolják, hogy a részletesen leírt, a gép megfelel a 2006/42/EK (Gép Irányelv) Európai Irányelveknek, beleértve azok módosításait, valamint az irányelvek nemzeti jogba történő átültetésére irányuló, megfelelő jogi rendelkezést. Továbbá az alulírottak mindegyike rendelkezik meghatalmazással arra nézve, hogy összeállíthatja a műszaki dokumentációt.

[LT] ES atitikimo deklaracija

Žemiau pasirašę asmenys patvirtina, kad atskirai aprašytas mašina atitinka Europos Sąjungos direktyvą 2006/42/EB (Mašinų direktyva), įskaitant ir jos pakeitimus bei tai atitinkančią teisės aktą dėl direktyvų įgyvendinimo nacionaliniuose teisės aktuose. Pasirašę asmenys yra atskirai atitinkamai įgalioti sudaryti techninius dokumentus.

[LV] ES atbilstības deklarācija

Ar šo zemāk parakstījušās personas apliecinā, ka detalizēti aprakstītais mašīna atbilst Eiropas Savienības direktīvam 2006/42/EK (Mašīnu direktīva), ieskaitot to izmaiņas, kā arī atbilstošo tiesisko rīkojumu direktīvu pielāgošanai nacionālajai likumdošanai. Parakstījušās personas ir atsevišķi pilnvarotas sastādīt tehniskās dokumentācijas dokumentācijas.

[N] EU-KONFORMITETSEKTLÆRING

Undertegnede bekræfter hermed at de enkelte betegnede maskin med kraftdrift overensstemmer med de europeiske retningslinjerne 2006/42/EC (masinretningslinje) med endringer, samt den tilsvarende rettsforordning til implementering i nasjonal lovgivning. De undertegnede er hver for seg bemyndiget til å sammenstille de tekniske dokumentene.

[PL] DEKLARACJA ZGODNOŚCI Z NORMAMI UE

Sygnatariusze potwierdzają niniejszym, że wyszczególniony maszyna odpowiada dyrektywie europejskiej 2006/42/WE (Dyrektywa maszynowa) wraz ze zmianami oraz rozporządzeniem prawnym dotyczącym wdrożenia dyrektywy do prawa krajowego. Każdy z sygnatariuszy jest upoważniony do samodzielnego zestawienia dokumentacji technicznej.

[RO] DECLARAȚIE DE CONFORMITATE CE

Subsemnării adevărate prin prezenta că utilajul de mașină, descris individual, corespunde directivelor europene 2006/42/CE (Directiva privind mașinile) inclusiv modificărilor lor, precum și actului legislativ corespunzător prentu transpunerea directivelor în dreptul național. Semnatarii sunt împuterniciți individual să redacteze documentația tehnică.

[RUS] Декларация соответствия стандартам ЕС

Настоящим лица, подписавшие документ, удостоверяют, что машина в указанной спецификации соответствует Европейским директивам 2006/42/EG (Директива по машинам), включая изменения в них, а также соответствующему правовому документу по трансформации директив в национальное право. Каждое по отдельности лицо, подписавшее документ, имеет полномочия для составления технической документации.

[SI] EG-KONFORMITETS FÖRKLARING

Undertecknad intygar härmed att den specificerade maskin är tillverkad i överensstämmelse med de Europeiska direktiven 2006/42/EG (Maskindirektivet), inklusive ändringarna i dessa och motsvarande harmoniseringar i nationell rätt. Undertecknade är var och en för sig berättigad att sammanställa de tekniska dokumenten.

[SK] vyhlásenie o zhode

Podpísané osoby týmto potvrdzujú, že podrobne popísaný stroje zodpovedá európskym smerniciam 2006/42/ES (smernica o strojnych zariadeniach) vrátane ich zmien, ako aj príslušnému právnomu výnosu na uplatnenie smerníc v národnom práve. Podpísané osoby sú vždy jednotlivo splnomocnené na zostavovanie technickej dokumentácie.

[SLO] EU IZJAVA O SKLADNOSTI

Podpisani potrjujemo, da podrobno opisano gnano stroj ustreza Evropski direktivi 2006/42/ES (Direktiva o strojih), vključno z njenimi spremembami in ustrežno pravno uredbo za izvajanje direktiv v nacionalno zakonodajo. Podpisniki so posamično pooblašeni za sestavljanje tehnične dokumentacije.

[TR] AB Uygunluk Açıklaması

İmza sahipleri bu yazı ile, belirtilen makine istif aracının Avrupa Yönetmeliklerine 2006/42/EG (Makine Yönetmeliği), bunun getirdiği değişikliklere ve yasal yönetmeliklerin ulusal yasaya göre değişmesi için olan yasal genelgeye uygun olduğunu onaylamaktadırlar. Her bir imza sahibi teknik belgeleri oluşturma konusunda yetkilidir.

- (1) Type/ Typ/ Tipo/ Modello/ Τυππι/ Tipo / ΤΥΠΟΣ/ Τίπος/ Tip/ Тип/ Tips/ Tipas/ Tüüp:
- (2) Serial No./ Serien-Nr./ N°. de série/ Seriennummer/ N° de serie/ Numero di serie/ Serienr./ Sarjanro/ αριθμός/ Seriové číslo/ Szériaszám/ Nr.Seryjny/ Serijska številka/ Výrobné číslo/ Серийный номер/ Seri No./ Seerianr./ Sērijas Nr./ Serijos numeris:
- (3) Year of constr./ Baujahr/ Année de constr./ Bouwjaar/ Año de constr./ Anno di costruzione/ Produktionsår/ Byggeår/ Tillverkningsår/ Valmistusvuosi / Ano de fabrico / έτος κατασκευής/ Rok výroby/ Gyártási év/ Rokprodukcji / Letnik / Год изготовления / Üretim yılı / Vāljalaskeasta / Izgatavošanas gads / Gamybosmetai
- (4) Manufacturer or his authorized representative in Community/ Hersteller oder in der Gemeinschaft ansässiger Vertreter/ Fabricant ou son mandataire établi dans la Communauté/ Fabrikant of zijn in de Gemeenschap gevestigde gemachtigde/ Fabricante o representante establecido en la Comunidad/ Construtor ou Representante estabelecido na Comunidade/ Costruttore oppure il suo rappresentante nella Comunità/ Fabrikant eller dennesi Fællesskabet etablerede befuldmægtigede/ Produsent eller agent innen felleskapet/ Tillverkare eller representant inom EU/ Valmistaja tai yhteisömaassa oleva edustaja / V`robce nebo jeho zastoupení/ Gyártó / producent albo jego przedstawiciel w EG (Wspólnota Europejska)/ Κατασκευαστή ή όκηγο ηνπηθώλ αληπηξνζώπωλ/ Üretici ya da Bölgedeki Yetkili Temsilci/ Proizvajalec ali pooblašeni zastopnik s sedežem v EU/ Výrobca alebo zástupca so stálym bydliskom v EÚ / Изготовитель или его представитель, зарегистрированный в стране Содружества/ Тootja või organisatsiooni paiknev esindaja/ Ražotājs vai vietējais uzņēmuma pārstāvis / Gamintojas arba šalyje reziduojantis atstovas:
- (5) Date/ Datum/ Data/ Fecha/ datum/ Dato/ päiväys/ Kuupäev/ Datums/дата / Dátum/ dátum/ tarih/ ημερομηνία
- (6) Authorised signatory/ Im Auftrag/ pour ordre/ Incaricato/ Por orden de/ por procuração/ op last van/ på vegne af/ på uppdrag/ Etter oppdrag/ psta./ Ūlesandel / pavedus / v.i. / По поручению / megbízásából / длъжностно лице / z pověření / z poverenia / po nalogu / na polecenie / din sarcina / adina / θαη' εληνηή

If you can read this text:

- Your truck might be sold outside the EU; this declaration is then not valid.
 - Or the declaration is not complete.
- In this case please ask for a copy