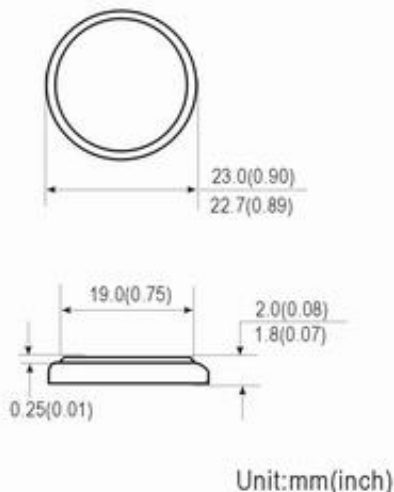


## BUTTON LITHIUM BATTERY

CM-T-011-2005

### CR2320



Chemical System : Lithium/Manganese Dioxide

IEC Name: CR 2320

Camelion No. : CR 2320

Average Weight : 3.0g

Dimension ( $\Phi$  x H) :  $23.0^{+0.3} \times 2.0^{+0.2}$  mm  
 $0.90^{+0.01} \times 0.08^{+0.01}$  inch

Terminals: Flat,pins,tabs

Nominal Voltage : 3.0Volts

Capacity :130.0mAh

( $20 \pm 2^\circ\text{C}$ , Rated at  $15\text{k}\Omega$  to 2.00V)

Standard discharge current: 0.2mA

Max. Continuous Discharge Current: 0.5mA

Max. Pulse Discharge Current: 15.0mA

Operating Temperature:  $-20^\circ\text{C} \sim 60^\circ\text{C}$

Storage conditions

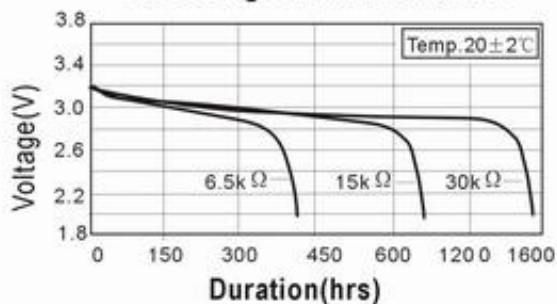
Temperature:  $-20^\circ\text{C} \sim 45^\circ\text{C}$

Relative Humidity:  $60 \pm 15\%$

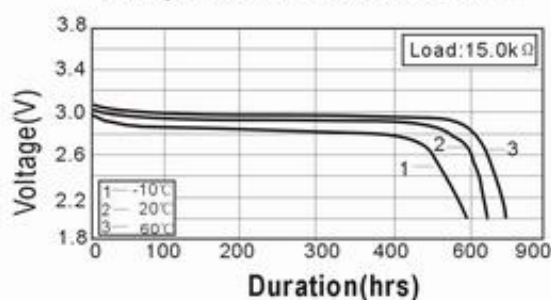
Cross Reference:

DL2320(Duracell),KECR2320(Rayovac)

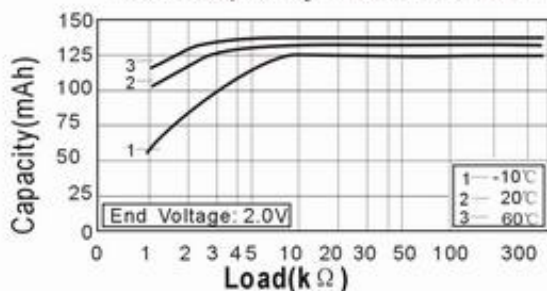
#### Discharge characteristics



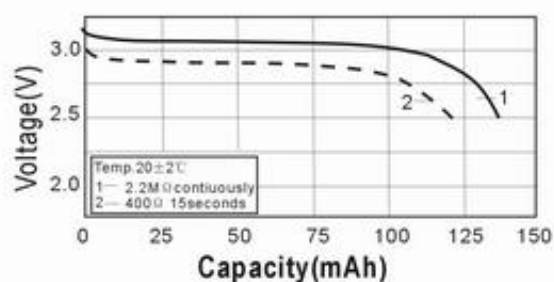
#### Temperature Characteristics



#### Load-capacity characteristic



#### Pulse Discharge Characteristic



#### Import Notice

The information (subject to change without prior notice) contained in this document is for reference only and should not be used as a basis for product guarantee or warranty. For applications other than those described here, please consult your nearest Camelion Sales and Marketing or Distributors or visit the web address: [www.camelionbattery.com](http://www.camelionbattery.com).