

vft
black line
pumps



Black Hawk
BH2-21

Fire Pump BH2-21

Up to 16.8 Bar (244 PSI) and 432 L/min (114 U.S GPM)

The **BH2-21** fire pump is within the vft Black Hawk line of portable fire pumps. It combines a powerful air-cooled **Honda GX630 21HP** engine with electronic cut-off, with the Speed Inserter vft and the VFT_2SP 2-stage centrifugal pump, offering an excellent medium pressure range with high flow capacity. This combination can make long hose runs both in series and in parallel without losing performance.

It has a quick coupling system for the **VFT_2SP pump** that allows it to be replaced in the shortest possible time if a breakdown occurs. This pump is compatible with the other Vallfirest fire pumps which use the VFT_3SP 3-stage pump and VFT_4SP 4-stage pump, which allows a better management of the spare parts stock.

- > Components made of high quality aluminum and stainless steel.
- > Spare parts available through customer.service@vallfirest.com.
- > With the best quality / price ratio.
- > 2 years warranty.

Applications

- Direct attack.
- Long hoses laid.
- Self-protection maneuvers with sprinklers.
- Tandem pumping for long distances.
- Parallel pumping for higher volumes.
- Assembly in skid units and extinguishing vehicles.

Features

- Electric starter (with extra battery included).
- VFT_2SP pump easily interchangeable thanks to a quick release clamp.
- Compatible with VFT_3SP 3-stage and VFT_4SP four-stage pumps.
- Maintenance-free speed increaser. Made of cast aluminum and high quality components.
- Choice of transport base: tubular frame (for greater maneuverability), or base for assembly on vehicles.
- Hand priming pump and pressure gauge included.
- Non-return valve for impulsion included.
- Pump compatible with foam-forming agent.



Specifications

UNE EN-14466:2006+A1 2009
 UNE-EN 1028-2:2003+A1 2008
 Engine with EPA, CARB and EU stage V certificates.

Specifications

Engine	Honda GXH630
Centrifugal Pump	VFT 2-stage
Weight	81 kg / 178.5 lb (dry)
Maximum Pressure	16,8 Bar / 244 PSI
Maximum Flow	432 L/min / 114 U.S gal
Sizes	Length: 78 cm (30.7 in). Wide: 50 cm (19.7 in). Height: 50 cm (19.7 in)

1. Engine HONDA GX630 21HP OHV



Engine Specifications

Engine	4 strokes 2 cylinder gasoline
Bore x Stroke	78 X 72 mm
Displacement	688 cm ³
Compression ratio	9.3 : 1
Power	20.8 HP (3.600rpm)
N° Cylinders	2
Starter	Electric starter only.
Oil sensor	Yes
Engine oil capacity	1.9 L
Dimensions (l. x w. x h.)	405 mm x 410 mm x 438 mm
Dry weight	44,4 kg
Emissions certificate	EU stage V, EPA, CARB
Fuel cons.	6.0L/h - 3600rpm

2. 2-Stage centrifugal pump VFT_2SP



The VFT_2SP is a compact, efficient and reliable 2-stage centrifugal pump.

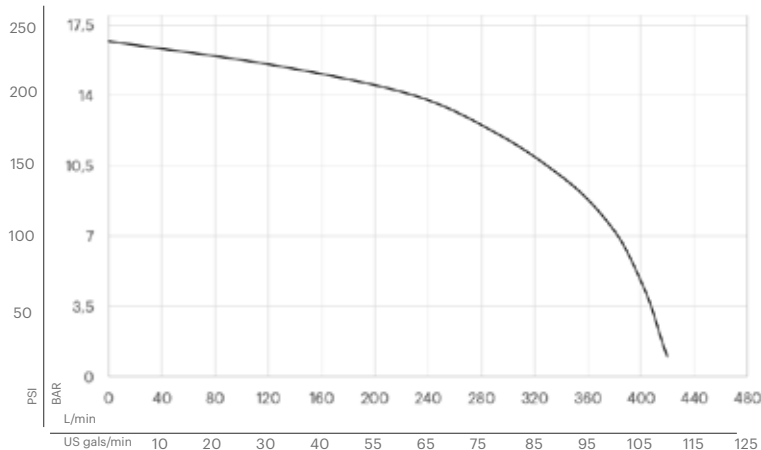
The body and impellers are made of anti-corrosive aluminum. The axis and other components are made of stainless steel. Includes a high-quality mechanical seal specifically designed for the Vallfirest pumps.

- Pump compatible with foam-forming agent.
- Compatible with fire pump models: **BH2-13, BH2-18, BH2-23, BH4-13, BH4-18, BH4-21, BH4-23 and BP4.**

VFT_2SP Specifications

Suction	2" NPSH
Impulsion	1.5" NPSH

3. BH2-21 Performance



BH2-21 Performance data

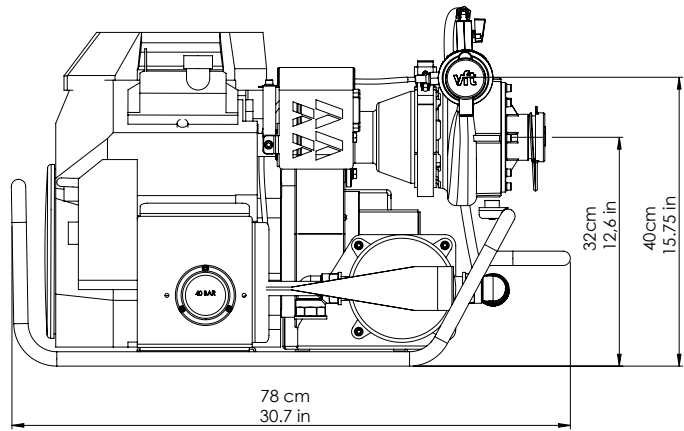
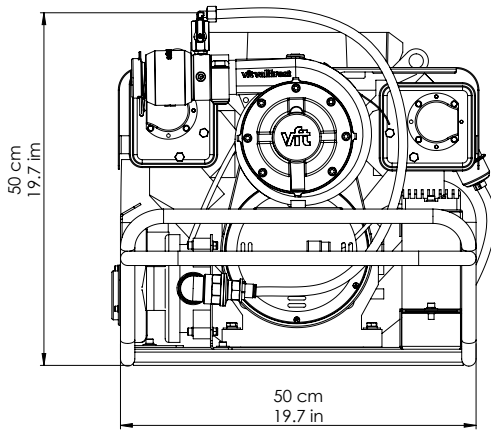
Max. Flow	432 L/m / 114 U.S GPM
Max. Pressure	16.8 Bar / 244 PSI
Max. Water Gauge	171 mH2O

* Specifications subject to change without notice

Pressure		Flow	
[Bar]	[PSI]	[L/Min]	[U.S. GPM]
14	203	230	61
10,5	152,3	330	87
7	101,5	383	101

4. Dimensions

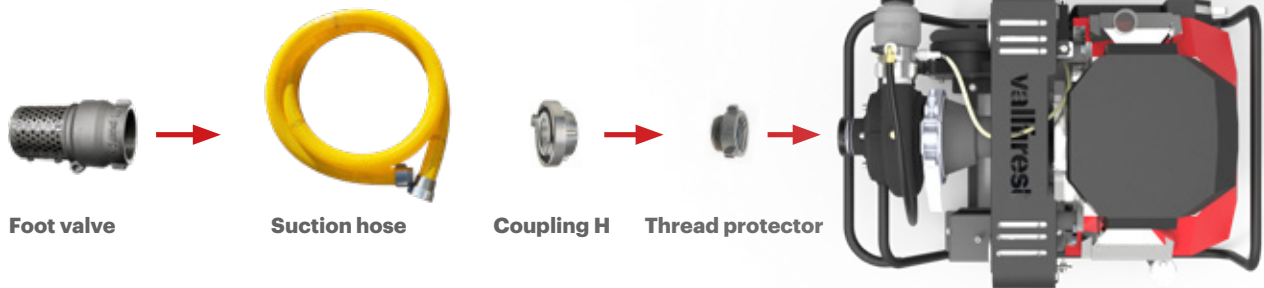
Length: 78 cm (30.7 in) | Wide: 50 cm (19.7 in) | Height: 50 cm (19.7in)



5. Required components for operation

WATER SUCTION

A suction hose and foot valve are required to filter the water.



Foot valve

Suction hose

Coupling H

Thread protector

OPERATION

A coupling wrench is required to tighten and loosen thread protectors / adapters. It is necessary to prime the pump manually before operating.

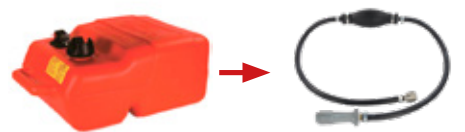


Coupling wrench

Manual priming pump* (included)

FUEL FEEDING

An external fuel tank and connection line are required.



12L - 25 L

Mercury connection

Fuel tank

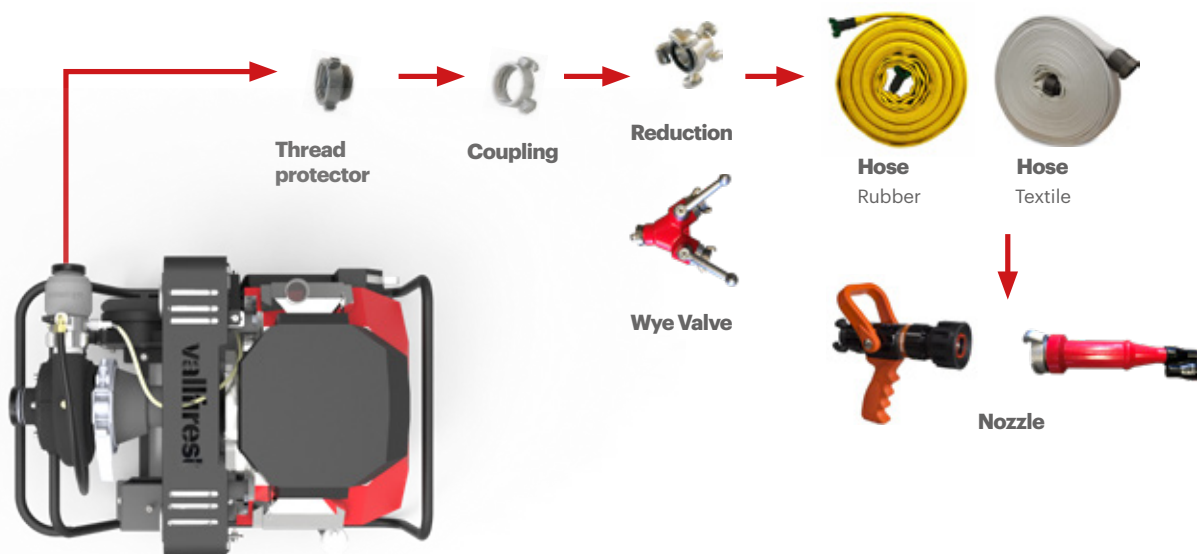
Fuel line

* See the different types of connection available: Chrysler, SAE, etc.

WATER IMPULSION

For the impulsion, choose the couplings according to the type of hose and the laying configuration: direct attack or connection in series or in parallel of several fire pump units.

* See our **Pump setup** sheet for more information.



6. List of components

Thread protectors

Necessary to protect the original threads of the pump and adapt the NPSH thread to any other type of thread, allowing the connection of other couplings.

- DVD3107-00001** NPSH-NPSH 1-1/2"
- DVD3107-00002** NPSH-BSP 1-1/2"
- DVD3107-00003** NPSH-NH 1-1/2"
- DVD3108-00001** NPSH-NPSH 2"
- DVD3108-00002** NPSH-BSP 2"
- DVD3108-00003** NPSH-NH 2"



vft Pumps coupling wrench

Allows safe tightening and loosening of thread protectors and couplings.

- DVD3112-00001**



vft Foot valve

The foot valve with non-return system filters the water and allows the suction circuit and the pump to be primed.

- DVD3105-00004** NPSH 2"
- DVD3105-00005** BSP 2"
- DVD3105-00006** NH 2"



Suction hose

Flexible wire reinforced suction hose.

- DVD3102-00001** 2" NPSH // L=3m
- DVD3102-00002** 2" BSP // L=3m
- DVD3102-00003** 2" NH // L=3m
- DVD3102-00004** 2" Storz 52-C // L=3m



Fuel tank

- DED6001-00001** 12L Tank
DED6001-00002 25L Tank



Fuel line

- DVD3116-AAA0A** Fuel line 1/4" for tank
 (Mercury female - 1/4"NPT)
DVD3118-AAA0A Extension fuel line kit 1/4"
 Mercury connector



7. Optional accessories

vft Pump repair kit

Includes different tools for the disassembly and assembly of the 2, 3 and 4 stage vft pumps.

- DVD3115-AAA0A** Repair kit for 2, 3 and 4 stage vft pumps



Hose choke

Tool that allows to quickly cut off the water flow to carry out operations such as, for example, lance changes or adding and removing hoses during direct attack.

- DED5800-00000** Hose choke FC-2540
DED5801-00000 Textile hose choke



Protection base

Folding base made of resistant and waterproof canvas. It serves as protection for the fire pump in aggressive terrain and to contain tools and accessories during operation.

- DVD3114-00001** Protection base



*See the price list to know all the components available depending on the threads, coupling types, diameters, etc. In case of doubt, contact your commercial agent or directly with customer.service@vallfirest.com.