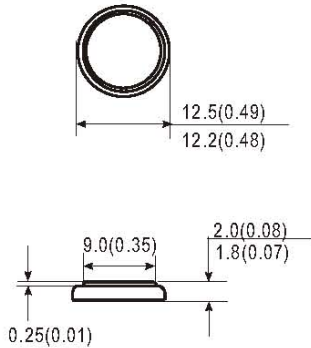


LITHIUM BUTTON CELL

Document Title: PB041220

CR1220



Unit:mm(inch)

Chemical System : Lithium/Manganese Dioxide

IEC Name: CR 1220

ANSI/NEDA: 5012LC

Camelion Model : CR1220

Average Weight : 0.9g

Dimension(\varnothing x H): 12.5^{-0.3}x2.0^{-0.2}mm

0.49^{-0.01}x0.08^{-0.01}inch

Terminals: Flat

Nominal Voltage : 3.0Volts

Capacity : 38mAh

(20±2°C, Rated at 62k Ω to 2.00V)

Standard Discharge Current: 0.1mA

Max. Continuous Discharge Current: 0.2mA

Max. Pulse Discharge Current: 5.0mA

Operating Temperature: -20°C~60°C

Storage Conditions

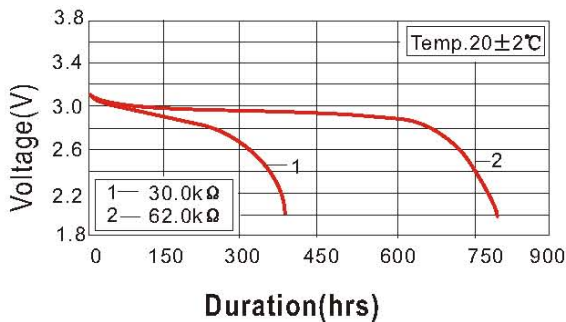
Temperature: -20°C~45°C

Relative Humidity: 60±15%

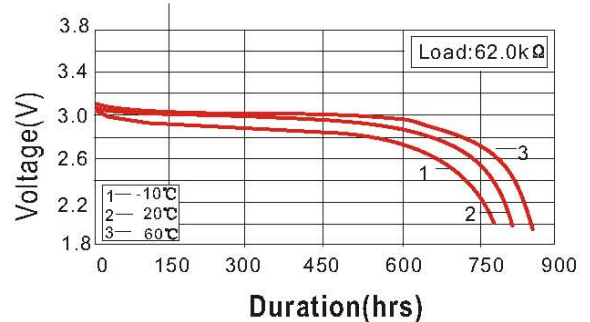
Cross Reference: E-CR1220(Energizer),

DL1220(Duracell),KECR1220(Rayovac)

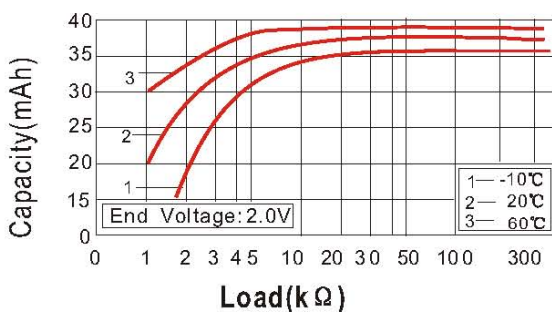
Discharge characteristics



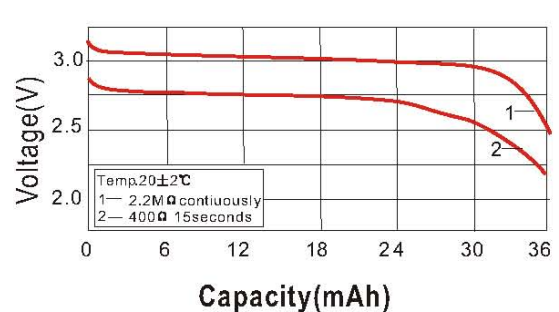
Temperature Characteristics



Load-capacity characteristic



Pulse Discharge Characteristic



Notice:

Environmental elements comply with RoHS requirements. This information is subject to change without prior notice and for reference only. It should not be used as a basis for a product guarantee or warranty. For additional information, please consult your nearest Camelion Sales Office or Distributor or visit our website at: www.camelionbattery.com.